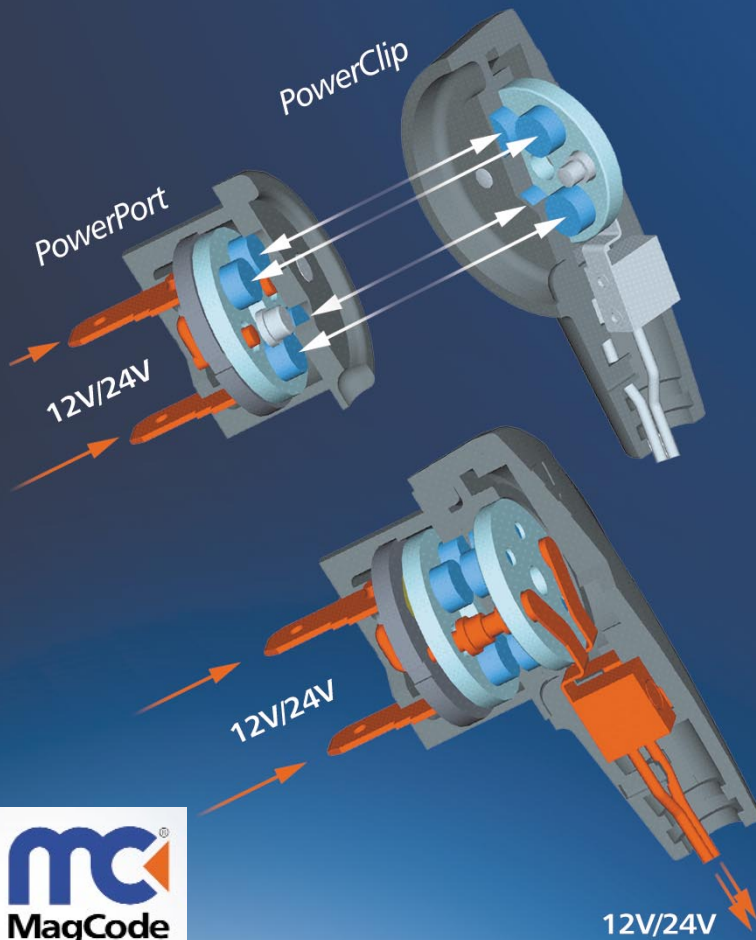


MagCode PowerSystem



The New Generation in Power Connectors



- Only live once connected
- Suitable for interior and exterior locations
- Weather-proof IP65
- Minimum installation depth
- Ideal for high current loads
- Max current: 25 Amps
- Rated voltage: 12v or 24v
- Polarity protected - prevents incorrect connection

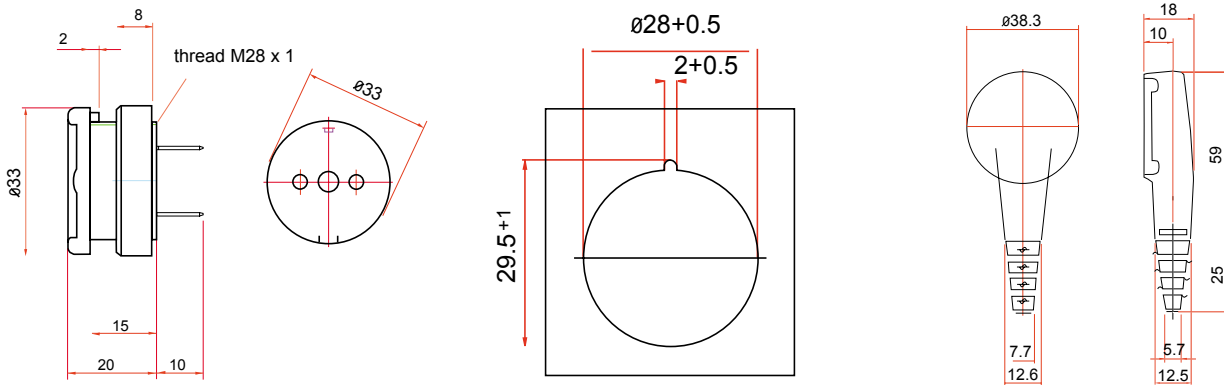


Ring Automotive:

Gelderd Road, Leeds LS12 6NB, England

Tel: +44 (0)113 276 7676 Fax: +44 (0)113 231 0266

MagCode *Technical Data*



MagCode *PowerPort*

MagCode *Mounting cutout*

MagCode *PowerClip*

MagCode *PowerPort Termination*

Lucar terminal male 6.3mm

MagCode *PowerClip Termination*

Screwtype terminal

Max. cable cross section:

2,5mm²

Mounting depth Port (with/without fixing ring):

22,0mm / 25,0mm

Height of Clip (with/without fixing ring)

21,5mm / 18,5mm

Rated Voltage

12V or 24V DC

Max. current load (DIN IEC 512-3) *

27A at -40° C
25A at +20° C
19A at +35° C
16A at +50° C

Vibration test (DIN IEC 512 IEC 68-2) *
3 axes, 8h, -40°C- +85°C

passed

Shock test (DIN EN 60 068) *
20g shock 22 °C, 20g shock 80°C

passed

IP65 protection test (DIN 40050 part 9) **
Dirt / water Ingress installed port

passed

* tested by Fraunhofer Institute IPA May 2000 ** tested by Franuhofer Institute ICT August 2000

Material Specifications Clip and Port

Body - Polycarbonate LEXAN 141R

Nickle Plated Magnets

Silver Plated Contacts

Ref No

Description

RMGC12B

Magcode Powerclip 12V Bulk

RMGP12B

Magcode Powerport 12V Bulk

RMGC24B

Magcode Powerclip 24V Bulk

RMGP24B

Magcode Powerport 24V Bulk

Ring Automotive:

Gelderd Road, Leeds LS12 6NB, England

Tel: +44 (0)113 276 7676 Fax: +44 (0)113 231 0266

